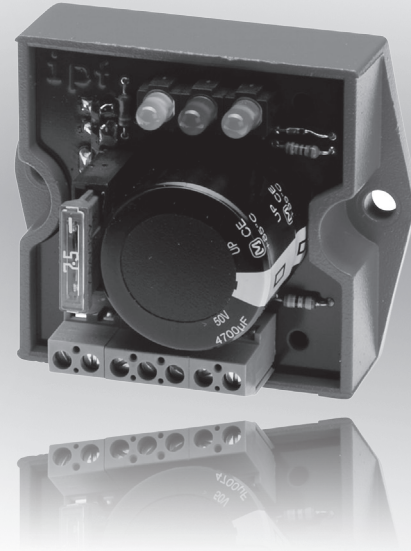


dimensions **70 x 45 x 60mm**

stabilized output voltage **24V DC**

- ✓ compact design
- ✓ high-quality parts for long service life
- ✓ construction designed for operational reliability
- ✓ discharging resistor
- ✓ sustained short-circuit protection
- ✓ low residual ripple
- ✓ informative LED function display
- ✓ input fuse
- ✓ various voltages and versions



**7 integrated protection devices!
6 different operational modes**

description

The available AC input voltage, e.g. 24VAC, is rectified, filtered and then stabilized and adjusted by means of a voltage regulator.

The DC output voltage is almost completely unaffected by changes in the input voltage and output load.

The power supplies are protected against sustained short circuits and have power-loss-dependent current limitation.

Seven integrated protection devices ensure effective protection against overloading. In „mixed operation“, up to 5A can be drawn from the extremely low-loss rectifier; e.g. 2A stabilized and 3A unstabilized.

Remote configuration and remote disconnection of the DC output voltage, regulator usage as well as current limitation are integrated.

The power supplies are screw-mounted e.g. in switching cabinets. The maximum stabilized output current is 0.8A without cooling.

Connection terminals for wires up to 2.5mm².

3-color LEDs indicate the operational state.

yellow LED: input voltage ok

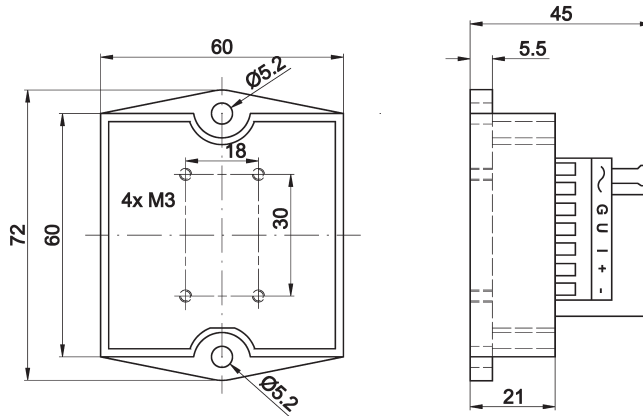
green LED: output voltage ok

red LED: current in load circuit too high

application

- ▶ DC voltage supply of sensors, relays, solenoid valves, PLC, etc.

article-no.	NR700201
output voltage	5 ... 30 V DC adjustable
output current (I nom)	2A



TECHNICAL DATA

output voltage	5 ... 30V DC adjustable
output current (I nom)	2A stabilized, 5A mixed operation
input voltage	23 ... 30V AC (ideally 23.5V AC at full load)
input current (I nom)	approx. nominal output current +20%
display	green LED – output voltage ok
display	yellow LED – input voltage ok
display (alarm)	red LED – short circuit or overload
dimensions	70x45x60 cm
housing material	plastic
operating temperature	0 ... 60°C
degree of protection (EN 60529)	IP 20
connection	terminals
mounting	35mm DIN-rail

6 operational modes

operational mode 1 (standard)

terminal ~	Ue
terminal ~	Ue
terminal +	+Ua (Ia max. 2A)
terminal -	-Ua

operational mode 3 (regulator usage)

terminal G	+Ug (feeding DC voltage) (terminal G is internally connected to the positive terminal of the rectifier)
terminal -	-Ug
terminal +	+Ua (Ia max. 2A)
terminal -	-Ua

operational mode 5 (remote disconnection)

switch-off of output voltage, residual value < 0.7V with connected load

connection as for operational mode 1

terminal I	switch
terminal -	switch

operational mode 2 (mixed mode)

connection as for operational mode 1

terminal G	+Ug; Ig max. 5A (Ig=3A with Ia=2A) (terminal G is internally connected to the positive terminal of the rectifier)
terminal -	-Ug

operational mode 4 (remote potentiometer)

change in output voltage 5 ... 30V DC
(adapt AC input voltage!)

connection as for operational mode 1 (remote potentiometer 1kΩ, 1W)

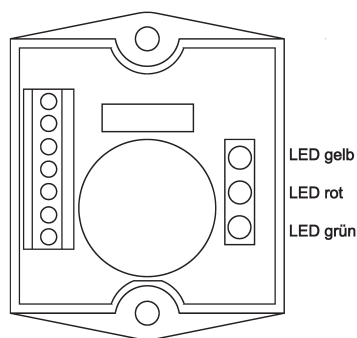
terminal +	remote potentiometer – start
terminal -	remote potentiometer – end
terminal U	remote potentiometer – center

operational mode 6 (current limitation)

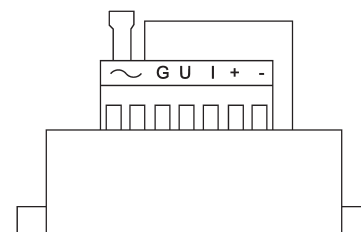
limitation of Ia (R = 450mV / Ia max.)

terminal ~	Ue
terminal ~	Ue
terminal I	+Ua (Ia max. 2A)
terminal -	-Ua
terminal I	R
terminal +	R

LED



connection terminals



ACCESSORIES

article-no.	description	note
AN000011	transformer +5%/5%	230V AC/24V AC

This data sheet only contains the available standard variants. For other output / connection variants, we kindly ask that you contact us.

We are happy to supply the right cable socket for the plug equipment. You will find a list in the "accessories" section of the catalog under **ipf-SENSORFLEX**® "cable sockets" or in the search window on our homepage www.ipf-electronic.com (using the search term "VK").

Warning: Never use these devices in applications where the safety of a person depends on their functionality.



NOTES

A large grid area for taking notes, consisting of a 20x30 grid of small squares. The grid is empty and occupies the majority of the page.