

**AY000098**

**ACCESSORIES • MOUNTING**



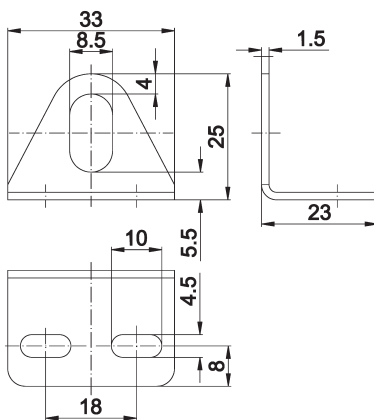
**MECHANICAL DATA**

Diameter/width of the fastening holes for sensor	4.5 mm
Height	25 mm
Length	23 mm
Material	Stainless steel
Mounting type	Screw
Number of oblong holes	3
Version	Mounting angle bracket
Weight	13 kg
Width	33 mm

**OTHER DATA**

Scope of delivery	Toothed washer for sensor, bracket
-------------------	------------------------------------

**DIMENSIONAL DRAWING**



**INSTALLATION**

**DISPOSAL**



Mounting / Installation may only be carried out by a qualified electrician!



### SAFETY WARNINGS

Before initial operation, please make sure to follow all safety instructions that may be provided in the product information!

Never use these devices in applications where the safety of a person depends on their functionality.