

AO000311

ACCESSORIES • BAFFLE RINGS



MECHANICAL DATA

| | |
|---------------------------|----------------|
| Accessories for | C-mount lenses |
| Ambient temperature (MAX) | 50 °C |
| Ambient temperature (MIN) | -20 °C |
| Thickness of baffle ring | 6 mm |
| With C-mount thread | Yes |

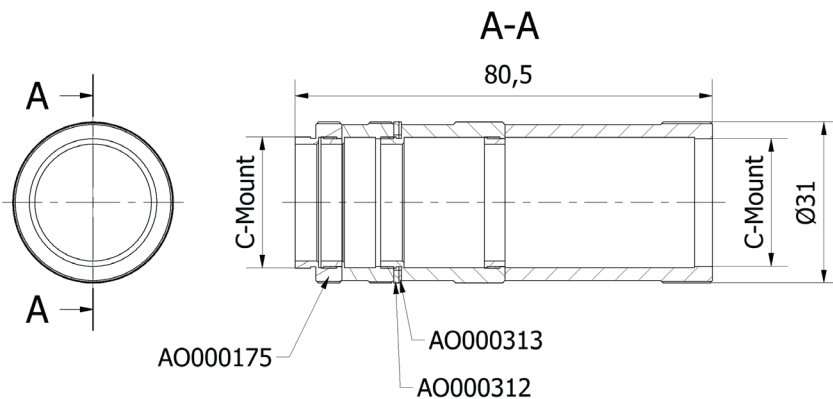
ELECTRICAL DATA

| | |
|-----------------|----------------------|
| Lens connection | C-mount (1-32 UN 2A) |
|-----------------|----------------------|

OPTICAL DATA

| | |
|------------|----|
| Motor zoom | No |
|------------|----|

DIMENSIONAL DRAWING



INSTALLATION

DISPOSAL



Mounting / Installation may only be carried out by a qualified electrician!

**SAFETY WARNINGS**

Before initial operation, please make sure to follow all safety instructions that may be provided in the product information!

Never use these devices in applications where the safety of a person depends on their functionality.