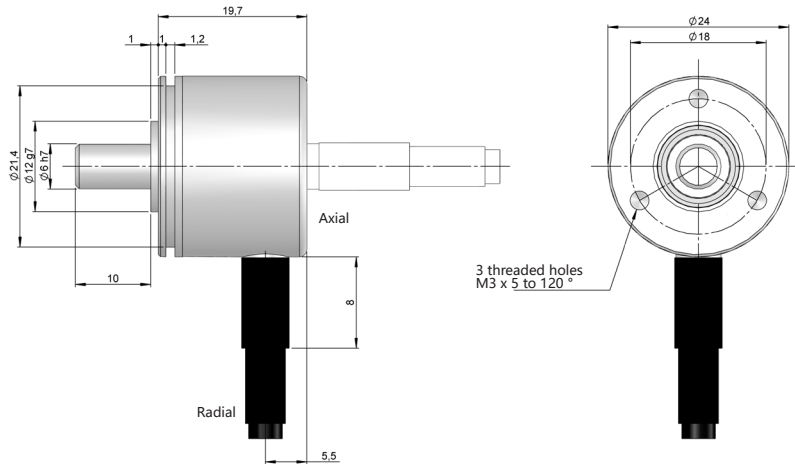


# SERIE E24 CS ANA

## MINIATURE SOLID SHAFT ABSOLUTE SINGLETURN ENCODER



- Analog output
- Resolution up to 12 bits
- External diameter 24 mm
- Solid shaft  $\varnothing$  4 or 6 mm
- Protection class IP64 according to DIN EN 60529
- Connection by cable (other cable length available)



Drawing shaft type 2 and connection type 1/2

### REFERENCE Reference example: E24CS-ANA-1213-12180

Serie	Interface	Solid shaft	Connection	Code	Electronic output / Supply Voltage	Resolution	Measuring range	Special customer
E24CS -	ANA -	<input type="checkbox"/>	<input type="checkbox"/>	<input type="checkbox"/>	<input type="checkbox"/> -	<input type="checkbox"/> <input type="checkbox"/>	<input type="checkbox"/> <input type="checkbox"/> <input type="checkbox"/>	<input type="checkbox"/> <input type="checkbox"/> <input type="checkbox"/> <input type="checkbox"/>
	ANA. Analog	1. $\varnothing$ 4 mm 2. $\varnothing$ 6 mm	1. Axial cable 2. Radial cable	1. CW 2. CCW	3. 0-20 mA, 12-18V 4. 4-20 mA, 12-18V 5. 0-20 mA, 20-28V 6. 4-20 mA, 20-28V 7. 0-10V, 15-30V 8. 0-5V, 15-30V	12. 12 bits	180. 180° electrical 360. 360° electrical (*)	

(\*) Measuring range can be factory configured from 18° to 360°.

**Order your reference**  
**Step file 3D**

[info@encoderhohner.com](mailto:info@encoderhohner.com)  
service available in 24 h



# SERIE E24 CS ANA

## MINIATURE SOLID SHAFT ABSOLUTE SINGLETURN ENCODER

### MECHANICAL SPECIFICATIONS


Materials	Cover: Aluminium Housing: Aluminium Shaft: Brass
Bearings	Ballraces
Bearings lifetime	1x10 <sup>10</sup> rev.
Maximum number of revolutions permitted mechanically	6000 rpm
Protection against dust and splashes according to DIN EN 60529	IP 64
Rotor inertia moment	2 gcm <sup>2</sup>
Starting torque at 20°C (68°F)	< 0.01 Nm
Maximum load permitted on axial shaft	20 N
Maximum load permitted on radial shaft	10 N
Weight approx.	0.06 Kg
Operating temperature range	-40°C to +85°C
Vibration according to DIN EN 60068-2-6	100 m/s <sup>2</sup> (10Hz...2000Hz)
Shock according to DIN EN 60068-2-27	1000 m/s <sup>2</sup> (6ms)
Axial or radial connection	2 meters cable (other cable lengths available or connector mounted at the end of the cable, upon request)

### ELECTRICAL SPECIFICATIONS

Interface	Analog
Electronic output	0..20mA , 4..20mA, 0.5V, 0..10V
Power supply (VDC)	12-18V, 20-28V, 15-30V
Consumption	≤ 30 mA
Resolution	Up to 12 bits
Range	180° and 360° electrical (*)
Short circuit protection	Yes
Protection polarity inversion	Yes

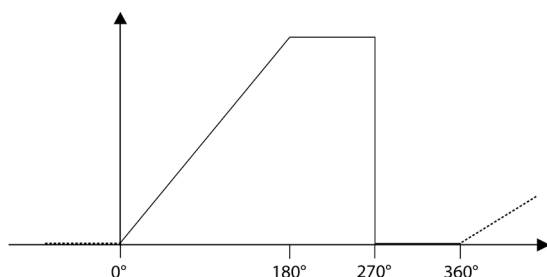
(\*) Measuring range can be factory configured from 18° to 360°.

### CONNECTION

	
	<b>Cable</b> 2x2x0.14+1x014 95.0008002
GND	White (WH)
+UB	Brown (BN)
I <sub>out</sub> / V <sub>out</sub>	Green (GN)
Case	Shield

### MEASURING RANGE

#### Measuring range 180°



#### Measuring range 360°

