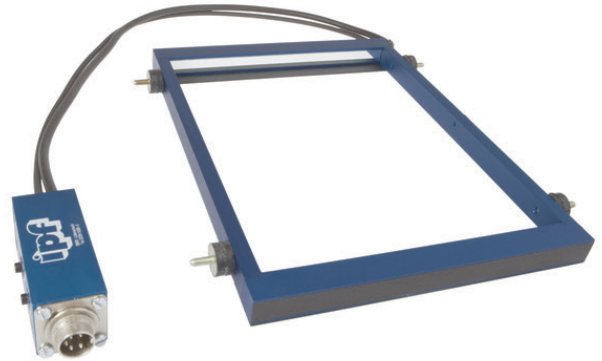


**OHSI0316**

**OPTICAL SENSORS • FRAME LIGHT BARRIERS**

Frame and ring light barriers operate according to the principle of a through-beam sensor. Within the housing there is a variety of transmitter and receiver elements that form a light curtain and thus detect various objects. Application examples for these systems are ejection control of presses, presence monitoring or length measurements of wires or tubes.



**MECHANICAL DATA**

|   |              |
|---|--------------|
| Active zone height                          | 158 mm       |
| Active zone width                           | 200 mm       |
| Ambient temperature (MAX)                   | 60 °C        |
| Ambient temperature (MIN)                   | -20 °C       |
| Degree of protection (IP)                   | IP67         |
| Frame opening, crosswise                    | 180 mm       |
| Frame opening, lengthwise                   | 158 mm       |
| Housing design                              | Cuboid       |
| Housing design                              | Frame-shaped |
| Housing material                            | Aluminium    |
| Reflector included in the scope of delivery | No           |
| Sensor height                               | 174 mm       |
| Sensor length                               | 15 mm        |
| Sensor width                                | 230 mm       |
| With mechanical impact protection           | Yes          |

**ELECTRICAL DATA**

|  |                    |
|--|--------------------|
| Analogue output 0 mA ... 20 mA                 | No                 |
| Analogue output 0 V ... 10 V                   | No                 |
| Analogue output -10 V ... +10 V                | No                 |
| Analogue output 4 mA ... 20 mA                 | No                 |
| Equipment protection class                     | Protection class 3 |
| Max. output current                            | 200 mA             |
| Max. switching distance                        | 200 mm             |
| No-load current                                | 200 mA             |
| Number of pins                                 | 5                  |
| Operating voltage (MAX)                        | 32 V               |
| Operating voltage (MIN)                        | 12 V               |
| Pulse stretching                               | 300 ms             |
| Pulse stretching                               | 20 ms              |
| Rated control supply voltage $U_s$ at DC (MAX) | 32 V               |

**ELECTRICAL DATA**

|  |   |
|--|---|
| Rated control supply voltage $U_s$ at DC (MIN) | 12 V  |
| Reverse polarity protection                    | Yes   |
| Setting procedure                              | Manual adjustment                             |
| Short-circuit-proof                            | Yes   |
| Suitable for safety functions                  | No  |
| Switching frequency                            | 1000 Hz                                       |
| Type of electrical connection                  | M16-connector                                 |
| Type of switching function                     | Normally closed contact/normally open contact |
| Type of switching output                       | PNP/NPN                                       |
| Voltage type                                   | DC  |
| With communication interface, analog           | No  |
| With communication interface, AS-Interface     | No  |
| With communication interface, CANOpen          | No  |
| With communication interface, DeviceNet        | No  |
| With communication interface, Ethernet         | No  |
| With communication interface, INTERBUS         | No  |
| With communication interface, PROFIBUS         | No  |
| With communication interface, RS-232           | No  |
| With communication interface, RS-422           | No  |
| With communication interface, RS-485           | No  |
| With communication interface, SSD              | No  |
| With communication interface, SSI              | No  |
| With LED display                               | Yes   |
| With monitoring function of downstream devices | No  |
| With other analog output                       | No  |
| With time function                             | Yes   |

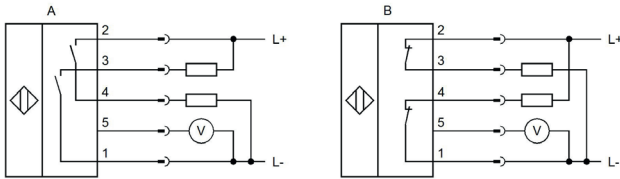
**OPTICAL DATA**

|                     |                |
|---------------------|----------------|
| Light source        | Infrared light |
| Min. object size    | 0.5 mm         |
| Resolution, dynamic | 0.5            |

**OTHER DATA**

|         |         |
|---------|---------|
| Version | Dynamic |
|---------|---------|

## CONNECTION

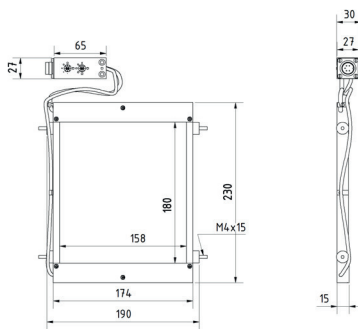


**Colors:** A: 1 = BU (blue), 2 = BR (brown), 3 = WH (white), 4 = BK (black), 5 = RD (red)

B: 1 = BU (blue), 2 = BN (brown), 3 = WH (white), 4 = BK (black), 5 = RD (red)  
**Functions:** A: 1 = L-, 2 = L+, 3 = NPN NO, 4 = PNP NO, 5 = 0-10V

B: 1 = L-, 2 = L+, 3 = PNP NC, 4 = NPN NC, 5 = 0-10V

## DIMENSIONAL DRAWING



## INSTALLATION



Mounting / Installation may only be carried out by a qualified electrician!

## DISPOSAL



## SAFETY WARNINGS

Before initial operation, please make sure to follow all safety instructions that may be provided in the product information!

Never use these devices in applications where the safety of a person depends on their functionality.