

## SL940021

### FLOW SENSORS • SENSORS FOR AIR

sensor flow, , Calorimetric, 139x80x135mm, G1 1/2 inch, 12-36V DC, 1x Relay contact NO (NO), 4-20mA, Plug-in connection M12 5pin, Plastic PC, Pressure resistance 16bar, With display, Parameterization

#### MECHANICAL FEATURES

Ambient temperature for evaluation electronics	-20 °C ... 70 °C
Degree of protection (IP) of evaluation electronics	IP65
Design	Cuboid
Height	139.1 mm
Housing material	Plastic PC
Length	80 mm
Measuring range of flow velocity with air	0.18 m/s ... 185 m/s
Measuring range of flow volume with air	0 l/min ... 12166.7 l/min
Medium temperature	-30 °C ... 80 °C
Pressure resistance	16 bar
Sensing element material	Aluminum
Temperature medium	-30 °C ... 80 °C
Type of process connection	G1 1/2 inch
Width	135 mm

#### ELECTRICAL FEATURES

Air conditioning / ventilation systems	+
Flow measurement	+
Measuring head integrated in device	+
Measuring principle of flow	Calorimetric
No-load current	140 mA
Number of pins	5
Number of switching outputs	1
Operating voltage	12 V ... 36 V
Pressure resistance of measuring head	16 bar
Rated control supply voltage $U_s$ at DC	12 V ... 36 V
Rated switching current	150 mA
Reverse polarity protection	+
Setting procedure	Parameterization
Short-circuit protection	+
Switching voltage	48 V
Transistor output	+
Type of analog output	4 mA ... 20 mA

**ELECTRICAL FEATURES**

Type of electrical connection	Plug-in connection M12
Type of switching function	Normally open contact (NO)
Type of switching output	Relay contact
Voltage type	DC
With display	+
With LED display	-

**OTHER FEATURES**

	IV002153
For pneumatic applications	+
Suitable for gases	+
Suitable for liquids	-

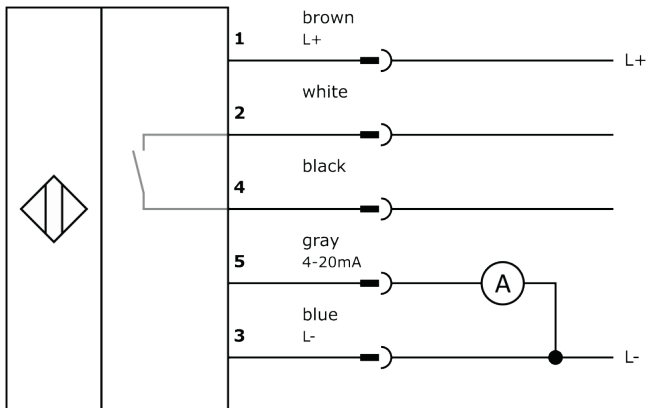
**Other**

Packaging dimensions	0.0mm x 0.0mm x 0.0mm
Shipping weight	
Tariff code	90268020

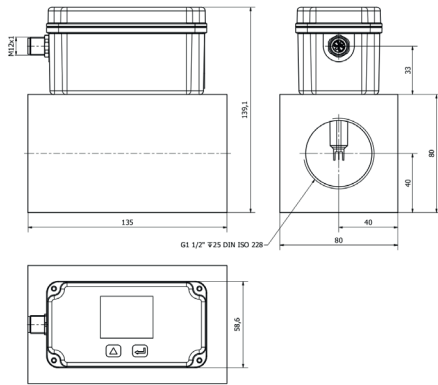
**Classification**

ipf product group	725
eClass 8.0	27371815
eClass 9.0	27371815
eClass 9.1	27371815
ETIM-5.0	EC002580
ETIM-6.0	EC002580
ETIM-7.0	EC002580

**Connection**



## Dimensional drawing



## Installation



Mounting / installation may only be carried out by a qualified electrician!

## Disposal



## Software

Any software, drivers or IODD files that may be required to operate your device can be downloaded free of charge from our homepage: [www.ipf-electronic.com](http://www.ipf-electronic.com)

## Safety warnings

Before initial operation, please make sure to follow all safety instructions that may be provided in the product information. Never use these devices in applications where the safety of a person depends on their functionality.

LED lighting systems can generate intensive UV radiation, which can damage your eyes in case of improper use. The manufacturer cannot be held responsible for damages that result from improper use or connection.