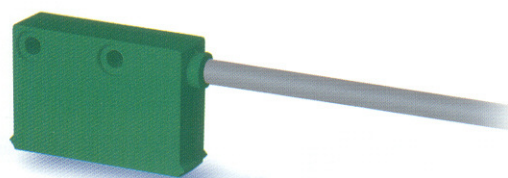


magnetic sensor, linear measurement

- robust metal or plastic housing
- very easy installation of the complete measuring system
- insensitive to dirt, humidity and vibration
- high initial acceleration is possible
- resistant to wear maintaining high accuracy
- linear resolution 1mm
- 2 year warranty!
- delivery of the sensor in storage box



Function

The linear measurement system consists of two parts – the sensing head and a magnetic scale tape. The 10mm wide scale tape has alternating north and south magnetic poles along its length at accurately defined pole widths. A supporting tape on the rear and a (magnetically transparent) stainless steel cover tape on top protect the magnetic tape. Both scale tape and cover tapes are applied using double-sided tape and are available up to 80m in length.

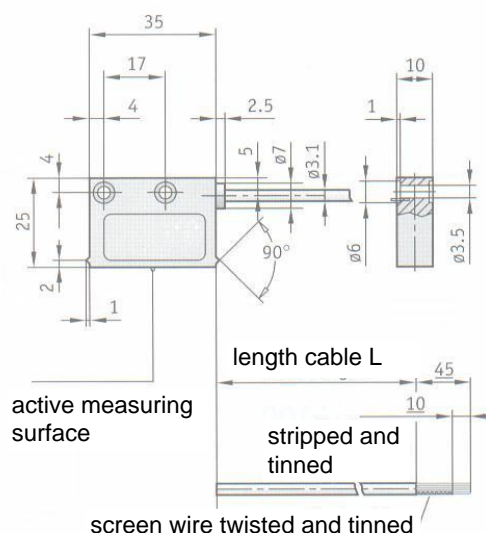
The system can be used for linear measurement in extreme environments. For maximum protection against dust, swarf, humidity or mechanical influences a pre-formed aluminium extrusion is available to cover the scale tape. The resolution of the system is 1mm. The linear operating speed is limited to 10m/s.

technical data

sensor

dim. drawing

operating voltage	10 ... 30V DC
current consumption (no load)	< 50mA
output circuit	A, B 90° , push-pull
linear reading speed	max. 10m/sec.
resolution	1mm
accuracy	$\pm (1.0+0.03 \times L)$ mm
repeatability	± 1 mm
distance sensor/magn. tape	0.1 ... 4mm
ambient temperature	0 ... +60°C
system of protection	IP 67 acc. EN 60529
housing material	plastic
elect. connection	cabLe



electrical connection

wire colours

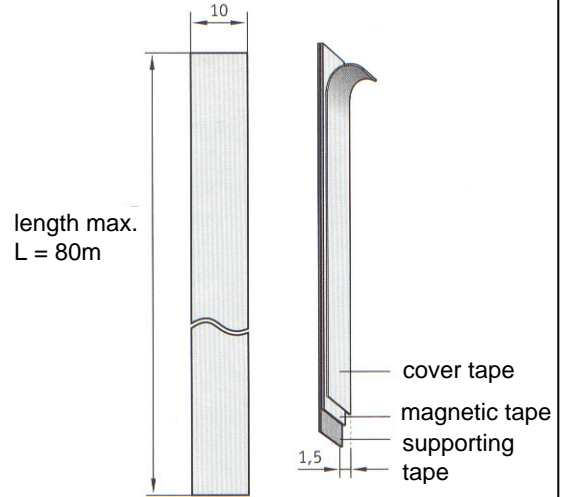
U_B	brown
GND	black
A	red
B	orange

article no. **MW100130** (2m cable)
MW100131 (5m cable)

technical data magnetic tape dim.drawing

width	10mm
thickness	1.5mm
max. length	80m
pole length	4mm
temperature coefficient	(11±1)µm/K
cover tape material	stainless steel
ambient temperature	-20°C to +70°C
system of protection	IP 67

article no. AM000052

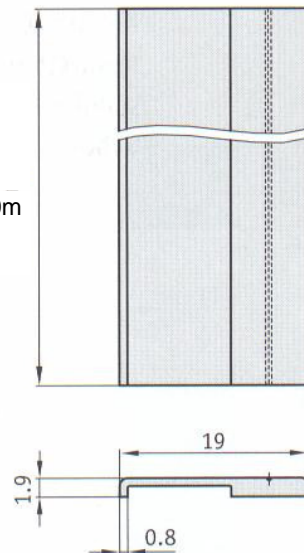


technical data section rail dim. drawing

length	1m
material	aluminium
mounting	screwing

article no. AM000050

length of delivery 1.0m



Warning: Never use these devices in applications where the safety of a person depends on their functionality!