



Incident light transmitting element white or infrared light

NOTES

A large grid area for taking notes, consisting of a 30x30 grid of small squares. The grid is empty and occupies the majority of the page below the 'NOTES' header.

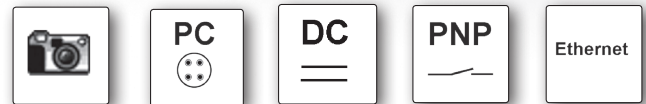
dimensions **53 x 99.5 x 38mm**

camera sensor operating distance **min. 50mm**

- ✓ **integrated incident light transmitting element in white light or infrared light**
- ✓ **short set-up times because of up to 255 check programs with up to 32 inspection tasks per sensor**
- ✓ **simple product change via control inputs, software, web-interface or Ethernet/Profinet**
- ✓ **codeable, digital outputs for up to 5 status signals**
- ✓ **stand-alone solution**
- ✓ **robust metal housing**
- ✓ **ambient light shielding**
- ✓ **process interface**



**fully integrated camera system
contour-based recognition**



description

In addition to a range of functions, the contour-based camera sensors of the 'opti-check' series are characterized by speed and a high level of external light shielding.

Possible applications range from classic optical sensors (through-beam sensors and diffuse reflection sensors) through to industrial image processing (computer-supported camera systems).

With a variable working distance (min. 50mm), the camera sensors are an all-in-one image processing unit in a compact and robust housing and are also suitable for harsh environments (IP67).

The 'opti-check' is equipped with a CMOS sensor (1/3"), optics (10mm or 16mm), illumination (a powerful white light LED or infrared LED), electronics/software (>5000 inspections/minute) as well as Ethernet and digital interfaces (5 inputs/5 outputs).

Using the simple user interface, it only takes a few steps to configure the sensor. From various functional groups (position

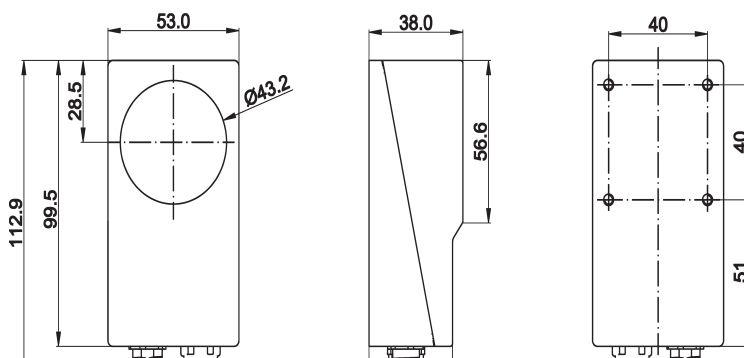
tracking, geometry, feature comparison, identification) the user can select and combine inspection tasks.

During the manufacturing process, the integrated web interface can be accessed by means of the web browser in order, for example, to carry out subsequent parameterization.

application examples

- ▶ checking and contour testing of mechanical components, e.g. plastic screws, nuts and metal rings
- ▶ completeness check (e.g. in the case of circuit boards)
- ▶ evaluation of installation positions of mounted assemblies
- ▶ querying of parts and differentiating different grades in packaging (present/incorrect/absent)
- ▶ evaluation of printing (present/quality)
- ▶ position control of markings and imprints
- ▶ feeding of components (position correct/incorrect)
- ▶ reading of barcodes and their quality
- ▶ OCR recognition of texts

| | | |
|----------------------|-----------------------------|-----------------------------|
| article-no. | OC538120 | OC538121 |
| transmitting element | infrared | infrared |
| version | position and location check | position and location check |
| operating range | from 50mm | from 70mm |
| focal distance | f = 10mm | f = 16mm |
| article-no. | OC539120 | OC539121 |
| transmitting element | white light | white light |
| version | position and location check | position and location check |
| operating range | from 50mm | from 70mm |
| focal distance | f = 10mm | f = 16mm |

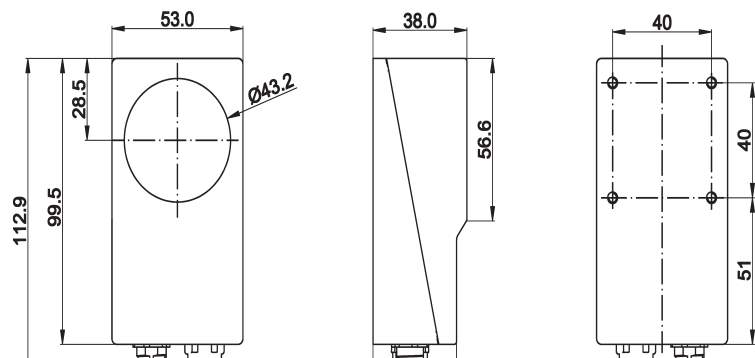


TECHNICAL DATA

| | |
|---------------------------------|--|
| version | position and location check |
| focal distance | see above |
| resolution | 752 x 480 pixels |
| measuring time | high resolution: 50 x per sec. / high speed: 100 x per sec. |
| operating voltage | 18 ... 30V DC |
| power consumption | type 5W |
| output | pass / fail 1 ... 5, flash sync, alarm, camera ready, output enable |
| output current (max. load) | 100mA per output |
| input | trigger, job selection, external teach-in, encoder (CH-A, CH-B) 500kHz |
| input voltage | 8 ... 30V DC |
| transmitting element | see above |
| setting | via software (included in the scope of delivery) |
| display | 5 x LED |
| short-circuit protection | + |
| reverse polarity protection | + |
| dimensions | 53x99.5x38mm |
| housing material | aluminum |
| lens material | PMMA |
| operating temperature | +5 ... +50°C |
| operating humidity | 0 ... 90% non condensing |
| degree of protection (EN 60529) | IP 67 |
| vibration resistance | IEC 60068-2-6, IEC 60068-2-64 |
| shock resistance | EN 60068-2-27 |
| connection | process: M12-connector, 12-pin |
| interface | Ethernet: M12-connector, 4-pin |
| connection accessories | e.g. VK205C25 (process) / e.g. VK208F25 (Ethernet) |
| accessories | adapter plate AO000371 |

| | |
|----------------------|--------------------------------------|
| article-no. | OC539220 |
| transmitting element | white light |
| version | reading of matrix codes and barcodes |
| operating range | from 50mm |
| focal distance | f = 10mm |

| | |
|----------------------|--------------------------------------|
| article-no. | OC539221 |
| transmitting element | white light |
| version | reading of matrix codes and barcodes |
| operating range | from 70mm |
| focal distance | f = 16mm |



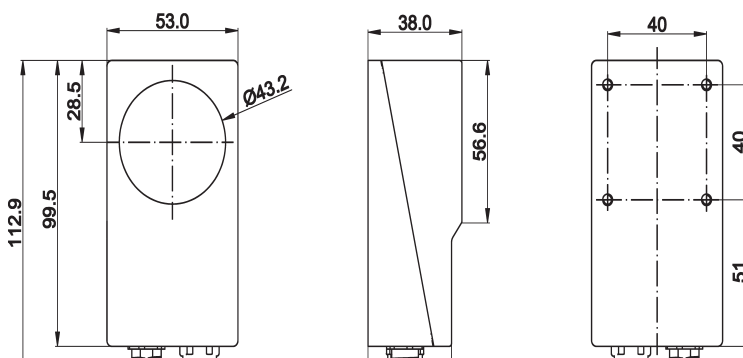
TECHNICAL DATA

| | |
|---------------------------------|--|
| version | reading of matrix codes and barcodes |
| focal distance | see above |
| resolution | 752 x 480 pixels |
| measuring time | high resolution: 50 x per sec. / high speed: 100 x per sec. |
| operating voltage | 18 ... 30V DC |
| power consumption | type 5W |
| output | pass / fail 1 ... 3, flash sync, alarm, camera ready, output enable |
| output current (max. load) | 100mA per output |
| input | trigger, job selection, external teach-in, encoder (CH-A, CH-B) 500kHz |
| input voltage | 8 ... 30V DC |
| transmitting element | white, LED class: risk group 1 (low risk, EN 62471: 2008) |
| setting | via software (included in the scope of delivery) |
| display | 5 x LED |
| short-circuit protection | + |
| reverse polarity protection | + |
| dimensions | 53x99.5x38mm |
| housing material | aluminum |
| lens material | PMMA |
| operating temperature | +5 ... +50°C |
| operating humidity | 0 ... 90% non condensing |
| degree of protection (EN 60529) | IP 67 |
| vibration resistance | IEC 60068-2-6, IEC 60068-2-64 |
| shock resistance | EN 60068-2-27 |
| connection | process: M12-connector, 12-pin |
| interface | Ethernet: M12-connector, 4-pin |
| connection accessories | e.g. VK205C25 (process) / e.g. VK208F25 (Ethernet) |
| accessories | adapter plate AO000371 |



| | |
|----------------------|--|
| article-no. | OC538320 |
| transmitting element | infrared light |
| version | reading of matrix codes, barcodes, plain writing with quality evaluation |
| operating range | from 50mm |
| focal distance | f = 10mm |

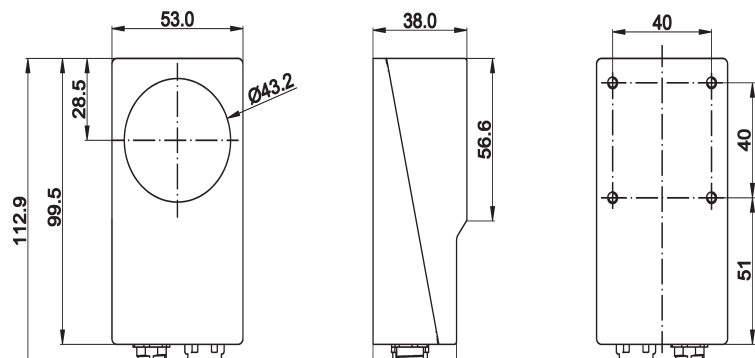
| | |
|----------------------|--|
| article-no. | OC539320 |
| transmitting element | white light |
| version | reading of matrix codes, barcodes, plain writing with quality evaluation |
| operating range | from 50mm |
| focal distance | f = 10mm |



TECHNICAL DATA

| | |
|---------------------------------|--|
| version | reading of matrix codes, barcodes, plain writing with quality evaluation |
| focal distance | see above |
| resolution | 752 x 480 pixels |
| measuring time | high resolution: 50 x per sec. / high speed: 100 x per sec. |
| operating voltage | 18 ... 30V DC |
| power consumption | type 5W |
| output | pass / fail 1 ... 5, flash sync, alarm, camera ready, output enable |
| output current (max. load) | 100mA per output |
| input | trigger, job selection, external teach-in, encoder (CH-A, CH-B) 500kHz |
| input voltage | 8 ... 30V DC |
| transmitting element | see above |
| setting | via software (included in the scope of delivery) |
| display | 5 x LED |
| short-circuit protection | + |
| reverse polarity protection | + |
| dimensions | 53x99.5x38mm |
| housing material | aluminum |
| lens material | PMMA |
| operating temperature | +5 ... +50°C |
| operating humidity | 0 ... 90% non condensing |
| degree of protection (EN 60529) | IP 67 |
| vibration resistance | IEC 60068-2-6, IEC 60068-2-64 |
| shock resistance | EN 60068-2-27 |
| connection | process: M12-connector, 12-pin |
| interface | Ethernet: M12-connector, 4-pin |
| connection accessories | e.g. VK205C25 (process) / e.g. VK208F25 (Ethernet) |
| accessories | adapter plate AO000371 |

| | | |
|----------------------|----------------------------------|----------------------------------|
| article-no. | OC538420 | OC538421 |
| transmitting element | infrared | infrared |
| version | quality check and identification | quality check and identification |
| operating range | from 50mm | from 70mm |
| focal distance | f = 10mm | f = 16mm |
| article-no. | OC539420 | OC539421 |
| transmitting element | white light | white light |
| version | quality check and identification | quality check and identification |
| operating range | from 50mm | from 70mm |
| focal distance | f = 10mm | f = 16mm |

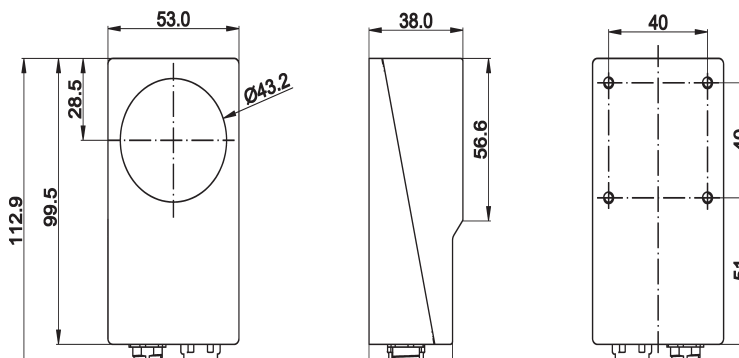


TECHNICAL DATA

| | |
|---------------------------------|--|
| version | quality check and identification |
| focal distance | see above |
| resolution | 752 x 480 pixels |
| measuring time | high resolution: 50 x per sec. / high speed: 100 x per sec. |
| operating voltage | 18 ... 30V DC |
| power consumption | type 5W |
| output | pass / fail 1 ... 5, flash sync, alarm, camera ready, output enable |
| output current (max. load) | 100mA per output |
| input | trigger, job selection, external teach-in, encoder (CH-A, CH-B) 500kHz |
| input voltage | 8 ... 30V DC |
| transmitting element | see above |
| setting | via software (included in the scope of delivery) |
| display | 5 x LED |
| short-circuit protection | + |
| reverse polarity protection | + |
| dimensions | 53x99.5x38mm |
| housing material | aluminum |
| lens material | PMMA |
| operating temperature | +5 ... +50°C |
| operating humidity | 0 ... 90% non condensing |
| degree of protection (EN 60529) | IP 67 |
| vibration resistance | IEC 60068-2-6, IEC 60068-2-64 |
| shock resistance | EN 60068-2-27 |
| connection | process: M12-connector, 12-pin |
| interface | Ethernet: M12-connector, 4-pin |
| connection accessories | e.g. VK205C25 (process) / e.g. VK208F25 (Ethernet) |
| accessories | adapter plate AO000371 |



| | |
|----------------------|---|
| article-no. | OC538520 |
| transmitting element | infrared |
| version | quality check, identification, reading of matrix codes, barcodes, plain writing with quality evaluation |
| operating range | 50mm |
| focal distance | f = 10mm |
| article-no. | OC539520 |
| transmitting element | white light |
| version | quality check, identification, reading of matrix codes, barcodes, plain writing with quality evaluation |
| operating range | 50mm |
| focal distance | f = 10mm |
| article-no. | OC539521 |
| transmitting element | white light |
| version | quality check, identification, reading of matrix codes, barcodes, plain writing with quality evaluation |
| operating range | 70mm |
| focal distance | f = 16mm |



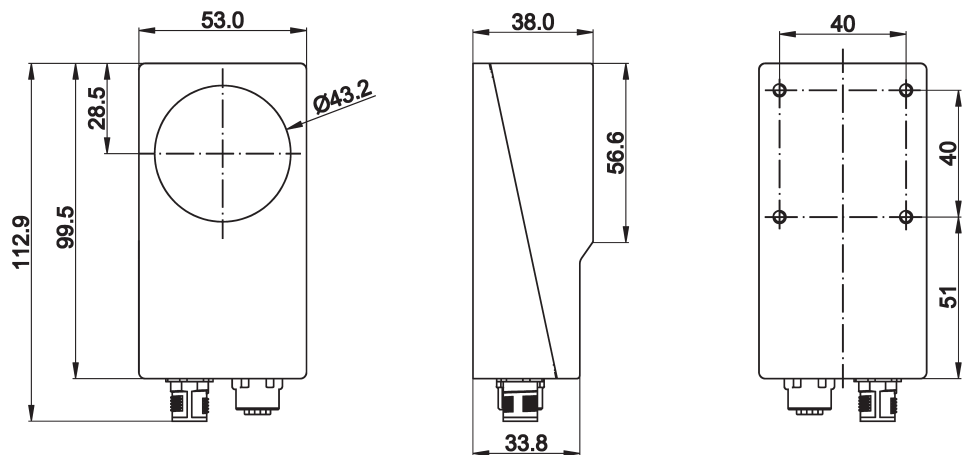
TECHNICAL DATA

| | |
|---------------------------------|---|
| version | quality check, identification, reading of matrix codes, barcodes, plain writing with quality evaluation |
| focal distance | see above |
| resolution | 752 x 480 pixels |
| measuring time | high resolution: 50 x per sec. / high speed: 100 x per sec. |
| operating voltage | 18 ... 30V DC |
| power consumption | type 5W |
| output | pass / fail 1 ... 5, flash sync, alarm, camera ready, output enable |
| output current (max. load) | 100mA per output |
| input | trigger, job selection, external teach-in, encoder (CH-A, CH-B) 500kHz |
| input voltage | 8 ... 30V DC |
| transmitting element | see above |
| setting | via software (included in the scope of delivery) |
| display | 5 x LED |
| short-circuit protection | + |
| reverse polarity protection | + |
| dimensions | 53x99.5x38mm |
| housing material | aluminum |
| lens material | PMMA |
| operating temperature | +5 ... +50°C |
| operating humidity | 0 ... 90% non condensing |
| degree of protection (EN 60529) | IP 67 |
| vibration resistance | IEC 60068-2-6, IEC 60068-2-64 |
| shock resistance | EN 60068-2-27 |
| connection | process: M12-connector, 12-pin |
| interface | Ethernet: M12-connector, 4-pin |
| connection accessories | e.g. VK205C25 (process) / e.g. VK208F25 (Ethernet) |
| accessories | adapter plate AO000371 |

| article-no. | | OC538120 | OC538121 | - | - | OC538320 |
|--------------------|--------------------------|-----------|-----------|-----------|-----------|-----------|
| | | OC539120 | OC539121 | OC539220 | OC539221 | OC539320 |
| resolution | | 752 x 480 | 752 x 480 | 752 x 480 | 752 x 480 | 752 x 480 |
| lens | | 10 mm | 16 mm | 10 mm | 16 mm | 10 mm |
| process interface | TCP/IP (Ethernet) | x | x | x | x | x |
| | RS485 | | | x | x | |
| identification | matrix code | | | x | x | x |
| | barcode | | | x | x | x |
| | text | | | | | x |
| position tracking | on contours | x | x | | | |
| | on edges | | | | | |
| | on circles | | | | | |
| | on lines of text | | | | | x |
| geometry | distance | x | x | | | |
| | circle | x | x | | | |
| | angle | | | | | |
| | count edges | | | | | |
| | point position | | | | | |
| feature comparison | count the contour points | x | x | | | |
| | comparisons of contours | x | x | | | x |
| | brightness | x | x | | | |
| | contrast | | | | | |
| | area size | | | | | |
| | count areas | | | | | |
| | pattern comparison | | | | | |
| article-no. | | OC538420 | OC538421 | OC538520 | OC538521 | |
| | | OC539420 | OC539421 | OC539520 | OC539521 | |
| resolution | | 752 x 480 | 752 x 480 | 752 x 480 | 752 x 480 | |
| lens | | 10 mm | 16 mm | 10 mm | 16 mm | |
| process interface | TCP/IP (Ethernet) | x | x | x | x | |
| | RS485 | | | | | |
| identification | matrix code | | | x | x | |
| | barcode | | | x | x | |
| | text | | | x | x | |
| position tracking | on contours | x | x | x | x | |
| | on edges | x | x | x | x | |
| | on circles | x | x | x | x | |
| | on lines of text | x | x | x | x | |
| geometry | distance | x | x | x | x | |
| | circle | x | x | x | x | |
| | angle | x | x | x | x | |
| | count edges | x | x | x | x | |
| | point position | x | x | x | x | |
| feature comparison | count the contour points | x | x | x | x | |
| | comparison of contours | x | x | x | x | |
| | brightness | x | x | x | x | |
| | contrast | x | x | x | x | |
| | area size | x | x | x | x | |
| | count areas | x | x | x | x | |
| | pattern comparison | x | x | x | x | |



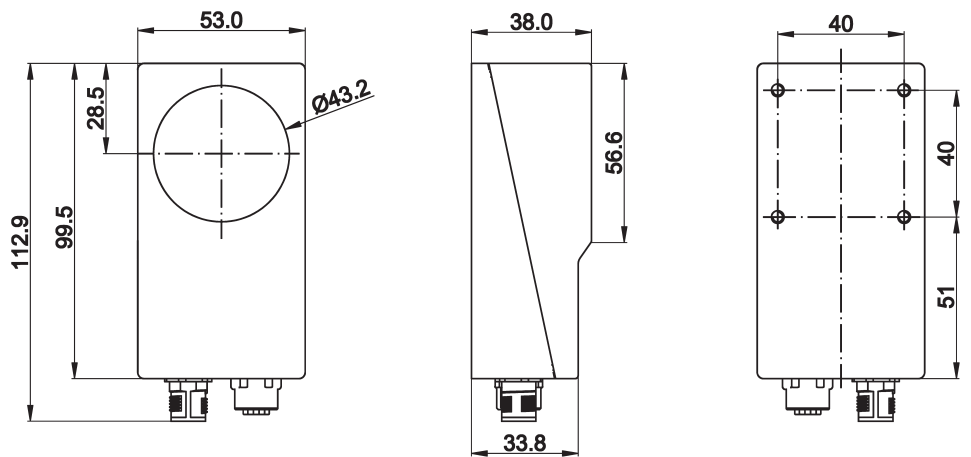
| article no. | OC538E21 | OC538E24 |
|--|--------------|--------------|
| integrated LED lighting | infrared | infrared |
| operating range | from 50mm | from 50mm |
| focal length | f = 16mm | f = 12mm |
| measuring time (High Res./ High Speed) | 50fps/100fps | 50fps/100fps |



TECHNISCHE DATEN

| | |
|---------------------------------|--|
| focal length | 16mm or 12mm |
| resolution | 752 x 480px |
| operating voltage | 18 ... 30V DC |
| power consumption | typ. 5W |
| output (process) | pass / fail 1 ... 5, flash sync, alarm, camera ready, output enable |
| output current (max. load) | 100mA per output |
| input | trigger, job selection, external teach-in, encoder (CH-A, CH-B) 500kHz |
| input voltage | 8 ... 30V DC |
| transmitting element | infrared |
| setting | via software (included in the scope of delivery) |
| status display | 5 x LED |
| short-circuit protection | + |
| reverse polarity protection | + |
| dimensions | 53 x 99.5 x 38mm |
| material (housing) | aluminum |
| material (optics) | PMMA |
| temperature (operating) | +5 ... +50°C |
| humidity (operating) | 0 ... 90% non-condensing |
| degree of protection (EN 60529) | IP67 |
| vibration resistance | IEC 60068-2-6, IEC 60068-2-64 |
| shock resistance | EN 60068-2-27 |
| connection | supply/signals: M12-connector, 12-pin |
| interface | Ethernet/Profinet: M12-socket, 4-pin |
| connection accessories | e.g. VK205C25 (supply/signals) / e.g. VK208F25 (Ethernet/Profinet) |
| accessories | adapter plate AO000371 |

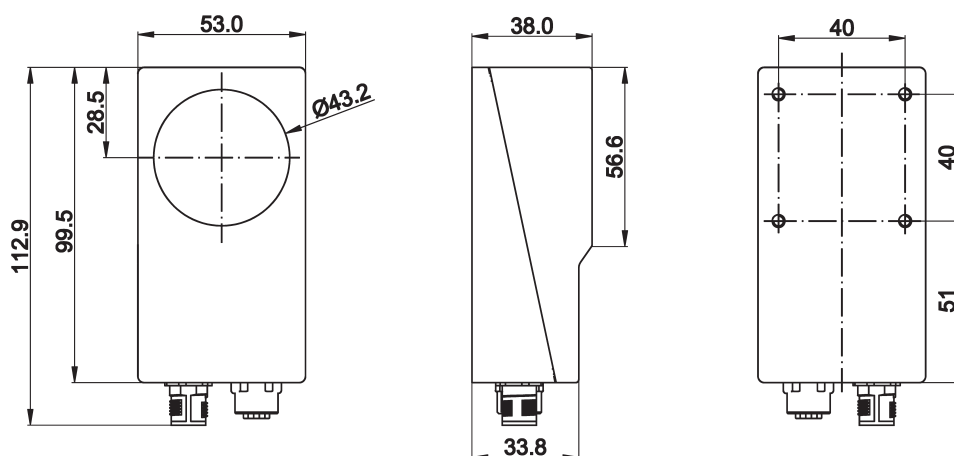
| | | |
|--|--------------|--------------|
| article no. | OC539422 | OC539522 |
| integrated LED lighting | white | white |
| operating range | from 50mm | from 50mm |
| focal length | f = 10mm | f = 10mm |
| measuring time (High Res./ High Speed) | 50fps/100fps | 50fps/100fps |



TECHNICAL DATA

| | |
|---------------------------------|---|
| focal length | 10mm |
| resolution | 752 x 480px |
| operating voltage | 18 ... 30V DC |
| power consumption | typ. 5W |
| output (process) | pass / fail 1 ... 5, flash sync, alarm, camera ready, output enable |
| output current (max. load) | 100mA per output |
| input | trigger, job selection, external teach-in, encoder (CH-A, CH-B) 500kHz |
| input voltage | 8 ... 30V DC |
| transmitting element | white |
| setting | via software (included in the scope of delivery) |
| status display | 5 x LED |
| short-circuit protection | + |
| reverse polarity protection | + |
| dimensions | 53 x 99.5 x 38mm |
| material (housing) | aluminum |
| material (optics) | PMMA |
| temperature (operating) | +5 ... +50°C |
| humidity (operating) | 0 ... 90% non-condensing |
| degree of protection (EN 60529) | IP67 |
| vibration resistance | IEC 60068-2-6, IEC 60068-2-64 |
| shock resistance | EN 60068-2-27 |
| connection | supply/signals: M12-connector, 12-pin |
| interface | Ethernet/RS485: M12-socket, 4-pin |
| connection accessories | e.g. VK205C25 (supply/signals/RS485) / e.g. VK208F25 (Ethernet) |
| accessories | adapter plate AO000371 |

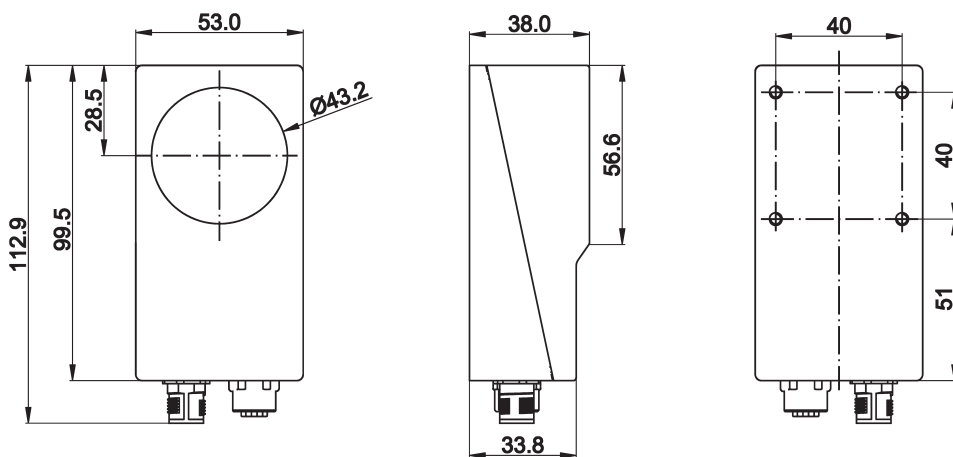
| article no. | OC539C24 | OC539D21 | OC539D24 |
|--|---------------|--------------|--------------|
| integrated LED lighting | white | white | white |
| operating range | from 50mm | from 70mm | from 50mm |
| focal length | f = 12mm | f = 16mm | f = 12mm |
| measuring time (High Res./ High Speed) | 116fps/144fps | 50fps/100fps | 50fps/100fps |



TECHNISCHE DATEN

| | |
|---------------------------------|--|
| focal length | 12mm or 16mm |
| resolution | 752 x 480px |
| operating voltage | 18 ... 30V DC |
| power consumption | typ. 5W |
| output (process) | pass / fail 1 ... 5, flash sync, alarm, camera ready, output enable |
| output current (max. load) | 100mA per output |
| input | trigger, job selection, external teach-in, encoder (CH-A, CH-B) 500kHz |
| input voltage | 8 ... 30V DC |
| transmitting element | white |
| setting | via software (included in the scope of delivery) |
| status display | 5 x LED |
| short-circuit protection | + |
| reverse polarity protection | + |
| dimensions | 53 x 99.5 x 38mm |
| material (housing) | aluminum |
| material (optics) | PMMA |
| temperature (operating) | +5 ... +50°C |
| humidity (operating) | 0 ... 90% non-condensing |
| degree of protection (EN 60529) | IP67 |
| vibration resistance | IEC 60068-2-6, IEC 60068-2-64 |
| shock resistance | EN 60068-2-27 |
| connection | supply/signals: M12-connector, 12-pin |
| interface | Ethernet/Profinet: M12-socket, 4-pin |
| connection accessories | e.g. VK205C25 (supply/signals) / e.g. VK208F25 (Ethernet/Profinet) |
| accessories | adapter plate AO000371 |

| | | |
|--|--------------|---------------|
| article no. | OC539E21 | OC539E24 |
| integrated LED lighting | white | white |
| operating range | from 50mm | from 50mm |
| focal length | f = 16mm | f = 12mm |
| measuring time (High Res./ High Speed) | 50fps/100fps | 50fps/100 fps |



TECHNISCHE DATEN

| | |
|---------------------------------|--|
| focal length | 16mm or 12mm |
| resolution | 752 x 480px |
| operating voltage | 18 ... 30V DC |
| power consumption | typ. 5W |
| output (process) | pass / fail 1 ... 5, flash sync, alarm, camera ready, output enable |
| output current (max. load) | 100mA per output |
| input | trigger, job selection, external teach-in, encoder (CH-A, CH-B) 500kHz |
| input voltage | 8 ... 30V DC |
| transmitting element | white |
| setting | via software (included in the scope of delivery) |
| status display | 5 x LED |
| short-circuit protection | + |
| reverse polarity protection | + |
| dimensions | 53 x 99.5 x 38mm |
| material (housing) | aluminum |
| material (optics) | PMMA |
| temperature (operating) | +5 ... +50°C |
| humidity (operating) | 0 ... 90% non-condensing |
| degree of protection (EN 60529) | IP67 |
| vibration resistance | IEC 60068-2-6, IEC 60068-2-64 |
| shock resistance | EN 60068-2-27 |
| connection | supply/signals: M12-connector, 12-pin |
| interface | Ethernet/Profinet: M12-socket, 4-pin |
| connection accessories | e.g. VK205C25 (supply/signals) / e.g. VK208F25 (Ethernet/Profinet) |
| accessories | adapter plate AO000371 |

| article no. | OC538120 | OC539120 | OC538121 | OC539121 | OC539220 | OC539221 | OC538320 | OC539320 |
|-----------------------------|-----------|-----------|-----------|-----------|-----------|-----------|-----------|-----------|
| resolution | 752x480px | 752x480px | 752x480px | 752x480px | 752x480px | 752x480px | 752x480px | 752x480px |
| lens | 10mm | 10mm | 16mm | 16mm | 10mm | 16mm | 10mm | 10mm |
| process interface | | | | | | | | |
| TCP/IP (Ethernet) | x | x | x | x | x | x | x | x |
| Profinet | | | | | | | | |
| RS485 | | | | | x | x | | |
| identification | | | | | | | | |
| matrix code | | | | | x | x | x | x |
| barcode | | | | | x | x | x | x |
| text | | | | | | | x | x |
| position tracking on | | | | | | | | |
| contours | x | x | x | x | | | | |
| edges | | | | | | | | |
| circles | | | | | | | | |
| lines of text | | | | | | | x | x |
| geometry | | | | | | | | |
| distance | x | x | x | x | | | | |
| circle | x | x | x | x | | | | |
| angle | | | | | | | | |
| count edges | | | | | | | | |
| point position | | | | | | | | |
| edge contour | | | | | | | | |
| feature comparison | | | | | | | | |
| count contour points | x | x | x | x | | | | |
| comparison of contours | x | x | x | x | | | x | x |
| brightness | x | x | x | x | | | | |
| contrast | | | | | | | | |
| area size | | | | | | | | |
| count areas | | | | | | | | |
| pattern comparison | | | | | | | | |

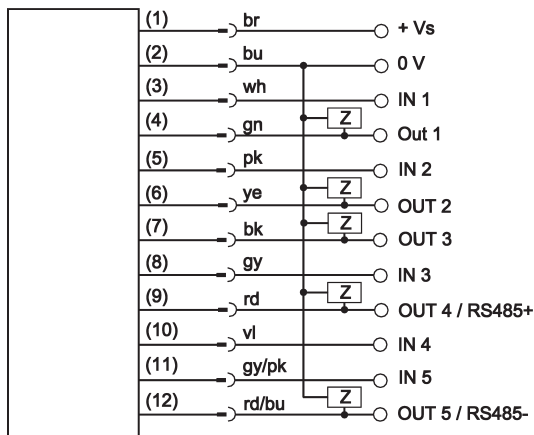
| article no. | OC538420 | OC539420 | OC538421 | OC539421 | OC538520 | OC539520 | OC539521 |
|-----------------------------|-----------|-----------|-----------|-----------|-----------|-----------|-----------|
| resolution | 752x480px | 752x480px | 752x480px | 752x480px | 752x480px | 752x480px | 752x480px |
| lens | 10mm | 10mm | 16mm | 16mm | 10mm | 10mm | 16mm |
| process interface | | | | | | | |
| TCP/IP (Ethernet) | x | x | x | x | x | x | x |
| Profinet | | | | | | | |
| RS485 | | | | | | | |
| identification | | | | | | | |
| matrix code | | | | | x | x | x |
| barcode | | | | | x | x | x |
| text | | | | | x | x | x |
| position tracking on | | | | | | | |
| contours | x | x | x | x | x | x | x |
| edges | x | x | x | x | x | x | x |
| circles | x | x | x | x | x | x | x |
| lines of text | x | x | x | x | x | x | x |
| geometry | | | | | | | |
| distance | x | x | x | x | x | x | x |
| circle | x | x | x | x | x | x | x |
| angle | x | x | x | x | x | x | x |
| count edges | x | x | x | x | x | x | x |
| point position | x | x | x | x | x | x | x |
| edge contour | x | x | x | x | x | x | x |
| feature comparison | | | | | | | |
| count contour points | x | x | x | x | x | x | x |
| comparison of contours | x | x | x | x | x | x | x |
| brightness | x | x | x | x | x | x | x |
| contrast | x | x | x | x | x | x | x |
| area size | x | x | x | x | x | x | x |
| count areas | x | x | x | x | x | x | x |
| pattern comparison | x | x | x | x | x | x | x |

| article no. | OC538D21 | OC538D24 | OC538E21 | OC538E24 | OC539422 | OC539522 |
|-----------------------------|-----------|-----------|-----------|-----------|-----------|-----------|
| resolution | 752x480px | 752x480px | 752x480px | 752x480px | 752x480px | 752x480px |
| lens | 16mm | 12mm | 16mm | 12mm | 10mm | 10mm |
| process interface | | | | | | |
| TCP/IP (Ethernet) | x | x | x | x | x | x |
| Profinet | x | x | x | x | | |
| RS485 | | | | | x | x |
| identification | | | | | | |
| matrix code | | | x | x | | x |
| barcode | | | x | x | | x |
| text | | | x | x | | x |
| position tracking on | | | | | | |
| contours | x | x | x | x | x | x |
| edges | x | x | x | x | x | x |
| circles | x | x | x | x | x | x |
| lines of text | x | x | x | x | x | x |
| geometry | | | | | | |
| distance | x | x | x | x | x | x |
| circle | x | x | x | x | x | x |
| angle | x | x | x | x | x | x |
| count edges | x | x | x | x | x | x |
| point position | x | x | x | x | x | x |
| edge contour | x | x | x | x | x | x |
| feature comparison | | | | | | |
| count contour points | x | x | x | x | x | x |
| comparison of contours | x | x | x | x | x | x |
| brightness | x | x | x | x | x | x |
| contrast | x | x | x | x | x | x |
| area size | x | x | x | x | x | x |
| count areas | x | x | x | x | x | x |
| pattern comparison | x | x | x | x | x | x |

| article no. | OC539C24 | OC539D21 | OC539D24 | OC539E21 | OC539E24 |
|-----------------------------|-----------|-----------|-----------|-----------|-----------|
| resolution | 752x480px | 752x480px | 752x480px | 752x480px | 752x480px |
| lens | 12mm | 16mm | 12mm | 16mm | 12mm |
| process interface | | | | | |
| TCP/IP (Ethernet) | x | x | x | x | x |
| profinet | x | x | x | x | x |
| RS485 | | | | | |
| identification | | | | | |
| matrix code | x | | | x | x |
| barcode | x | | | x | x |
| text | x | | | x | x |
| position tracking on | | | | | |
| contours | | x | x | x | x |
| edges | | x | x | x | x |
| circles | | x | x | x | x |
| lines of text | x | x | x | x | x |
| geometry | | | | | |
| distance | | x | x | x | x |
| circle | | x | x | x | x |
| angle | | x | x | x | x |
| count edges | | x | x | x | x |
| point position | | x | x | x | x |
| edge contour | | x | x | x | x |
| feature comparison | | | | | |
| count contour points | | x | x | x | x |
| comparison of contours | x | x | x | x | x |
| brightness | | x | x | x | x |
| contrast | | x | x | x | x |
| area size | | x | x | x | x |
| count areas | | x | x | x | x |
| pattern comparison | | x | x | x | x |

connection

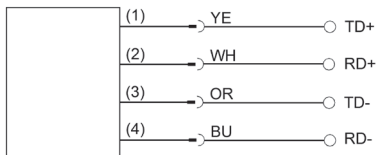
M12-connector, 12-pin



assignment

| PIN | color | assignment | open cable end |
|-----|-----------|------------|---------------------------|
| 1 | brown | PWR | 18 ... 30V DC |
| 2 | blue | Ground | 0 V |
| 3 | white | IN 1 | trigger |
| 4 | green | OUT 1 | digital output 1 |
| 5 | pink | IN 2 | digital input 2 |
| 6 | yellow | OUT 2 | digital output 2 |
| 7 | black | OUT 3 | digital output 3 |
| 8 | gray | IN 3 | digital input 3 |
| 9 | red | OUT 4 | digital output 4 / RS485+ |
| 10 | violet | IN 4 | digital input 4 |
| 11 | gray/pink | IN 5 | digital input 5 |
| 12 | red/blue | OUT 5 | digital output 5 / RS485+ |

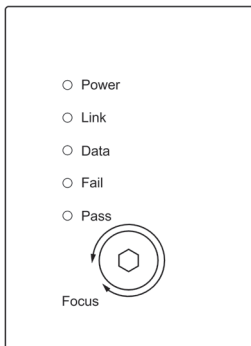
M12-connector, 4-pin



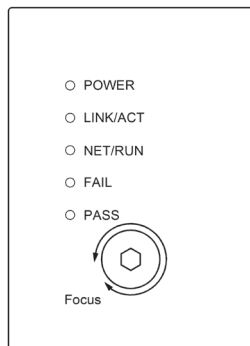
assignment

| PIN | color | assignment |
|-----|--------|------------|
| 1 | yellow | TD+ |
| 2 | white | RD+ |
| 3 | orange | TD- |
| 4 | blue | RD- |

LED status display
Ethernet



LED status displays
Profinet



| | | |
|--------------|------------|-------------|
| Power | LED yellow | operation |
| Link/ACT | LED yellow | network |
| Data/NET RUN | LED orange | data |
| Fail | LED red | no test |
| Pass | LED green | test passed |

field of view lens = 10mm

| object distance | max. inspection field of view |
|-----------------|-------------------------------|
| 50mm | 26mm x 17mm |
| 100mm | 50mm x 32mm |
| 200mm | 98mm x 62mm |
| 300mm | 145mm x 93mm |

field of view lens = 16mm

| object distance | max. inspection field of view |
|-----------------|-------------------------------|
| 70mm | 18mm x 11mm |
| 100mm | 26mm x 17mm |
| 200mm | 55mm x 35mm |
| 300mm | 84mm x 54mm |

ACCESSORIES

| article no. | description |
|-------------|---|
| AO000371 | adapter plate for installation on tripods |
| AO000388 | mounting plate |
| AO000389 | mounting bracket |
| AO000522 | mounting bracket 53 with heat sink for Profinet devices |

We will be pleased to supply the matching cable socket for your devices with connector. Please refer to the list in catalog chapter „accessories“ under „cable sockets **ipf-SENSORFLEX®**“ or search our website for www.ipf-electronic.com for „VK“.

Warning: Never use these devices in applications where the safety of a person depends on their functionality.