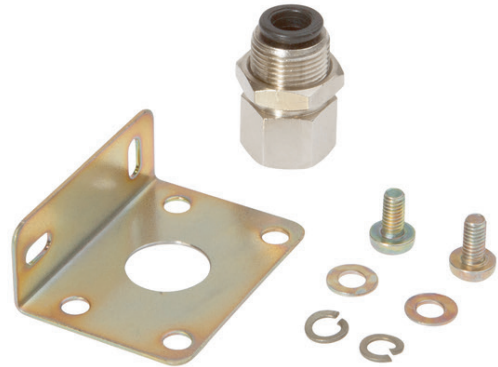


AD000016

ACCESSORIES • MOUNTING



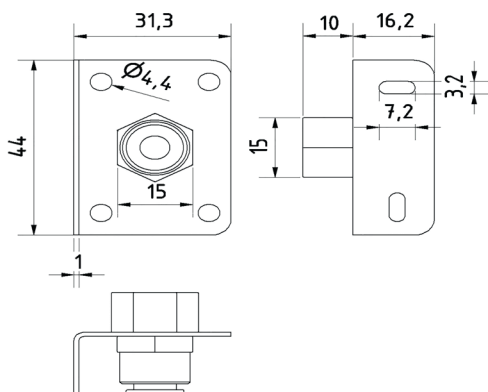
MECHANICAL DATA

Adaption	External thread 1/8" - 6mm
Angle	90 °
Diameter/width of the fastening holes for sensor	4.4 mm
Diameter/width of the fastening holes for sensor	3.2 mm
Height	44 mm
Length	16.2 mm
Material	Steel
Mounting type	Screw
Number of boreholes	4
Number of oblong holes	2
Surface	Zinc coated
Version	Mounting bracket with adapter flange
Width	31.3 mm

OTHER DATA

Scope of delivery	Adaption, mounting material and bracket
-------------------	-----------------------------------------

DIMENSIONAL DRAWING



INSTALLATION



Mounting / Installation may only be carried out by a qualified electrician!

DISPOSAL



SAFETY WARNINGS

Before initial operation, please make sure to follow all safety instructions that may be provided in the product information!

Never use these devices in applications where the safety of a person depends on their functionality.